

Speaker

Model: OSS47-23-11A5.0W8-T



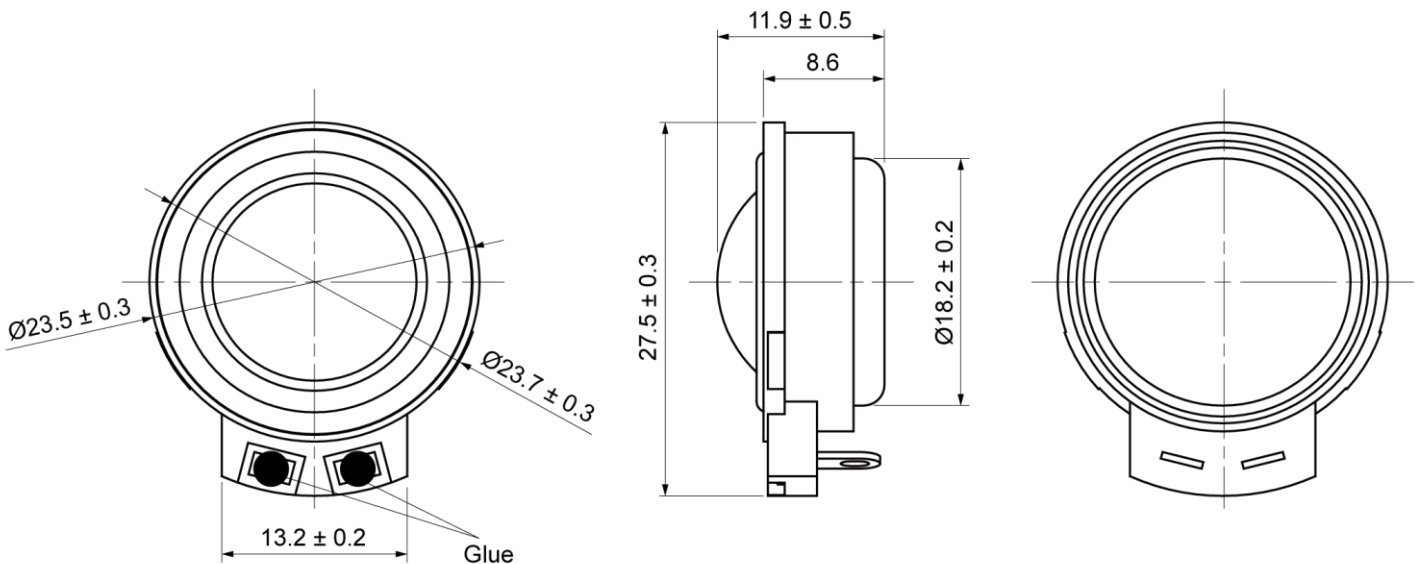
ELECTRICAL SPECIFICATIONS

	Condition	Parameter	Unit
Sound Pressure Level	at 1W, 1M [at 3.0KHz]	80 ± 3	dB
Impedance	at 2.83Vrms	8 ± 20%	Ω
Rated Input Power		5	W
Max Input Power		10	W
Resonant Frequency (Fo)	at 2.83Vrms	1600 ± 20%	Hz
Frequency Range		150 ~ 20000	Hz
Buzzer & Rattles	not be audible at sine wave between 150 ~ 20KHz	6.32	V
Operating Temperature		-20 ~ 70	°C
Magnet		Nd-Fe-B	
Frame Material		ABS+PC	
Cone Material		Cloth	
Weight		25	g

MECHANICAL DRAWING

Dimensions in mm

Tolerance ±0.5mm Except Specified



Speaker

Model: OSS47-23-11A5.0W8-T

FREQUENCY RESPONSE CURVE

